

DEFINED PORE SIZES		
PIN RETENTION (MICRON)	RETENTION (MICRON)	
63089	0.001"	25
63090	0.0015"	38
63076	0.002"	50
63048	0.003"	75
63049	0.004"	100
63050	0.006"	150
63051	0.009"	230
63052	0.015"	380
63053	0.024"	610
63054	0.030"	760
63055	0.045"	1140

NON-STOCK ITEMS:  
ALLOW 6-8 WEEKS  
FOR DELIVERY.

SLOTTED ELEMENT SIZES		
PIN RETENTION (MICRON)	RETENTION (MICRON)	
42631	0.0006"	15
42632	0.001"	25
40668	0.0015"	38
42633	0.002"	50
42634	0.003"	75
42635	0.004"	100
42636	0.006"	150
47332	0.007"	175
42652	0.008"	200
42637	0.009"	230
42638	0.015"	380
47341	0.024"	610
42653	0.030"	760
47331	0.045"	1125

PERFORATED ELEMENT SIZES		
PIN RETENTION (MICRON)	RETENTION (MICRON)	
42650	0.062"	1550
47330	0.125"	3125
42661	0.250"	6250

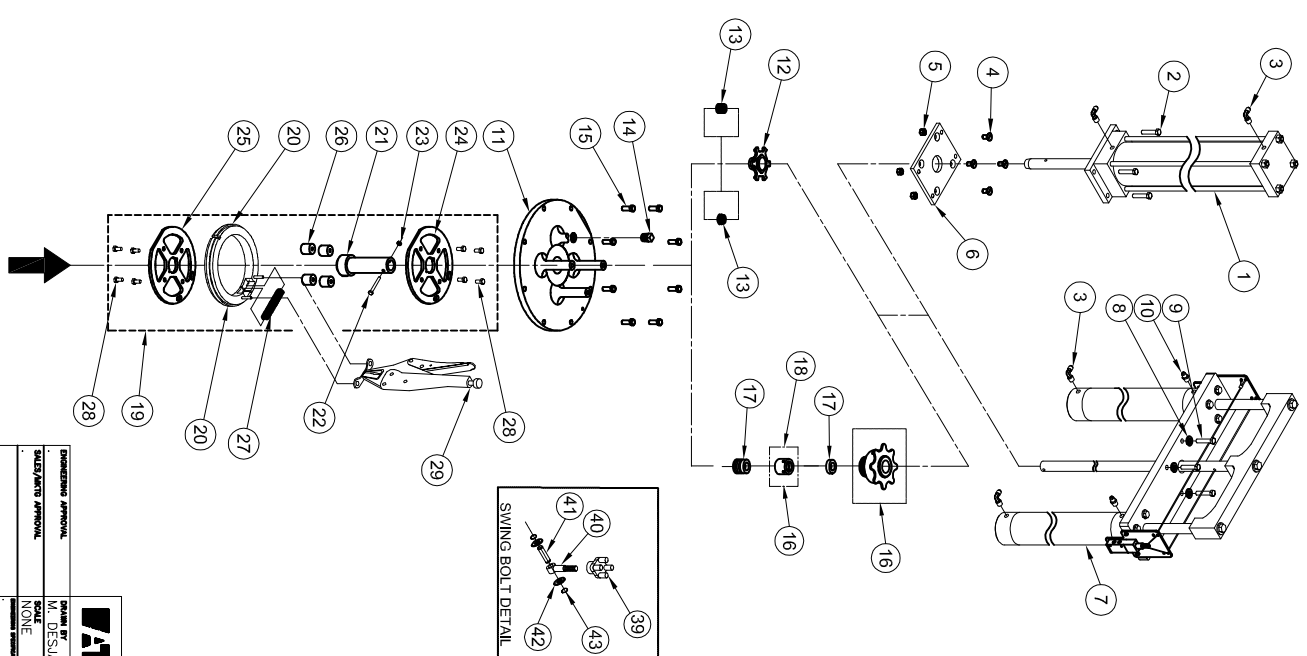
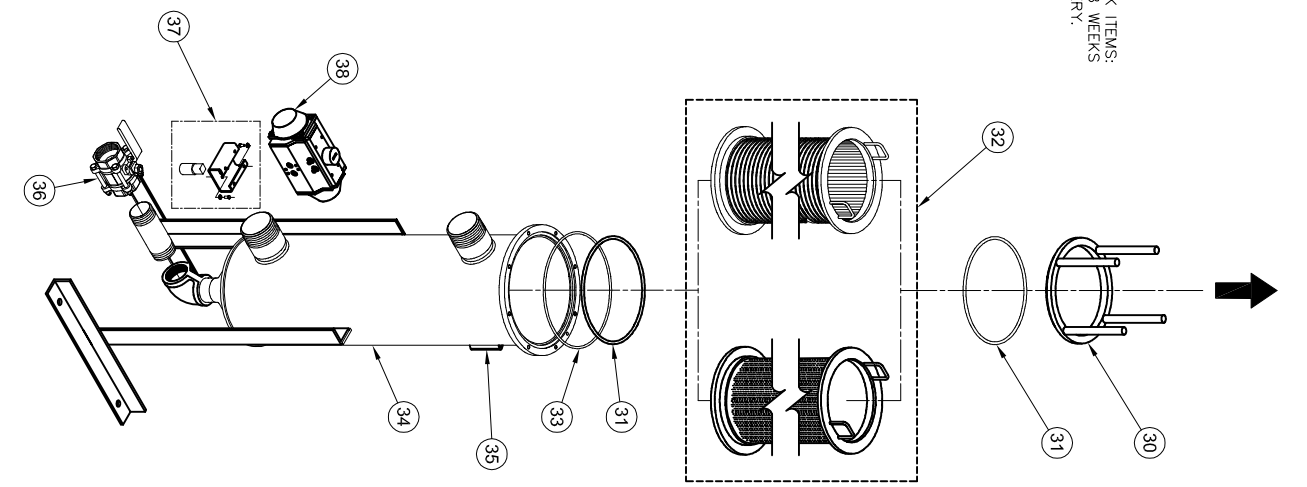
CLEANING DISC (WIDE EDGE)	
MATL	ASSY RFP KIT (#19) (#20)
UHMWPE	40632 31338
KVMMAR	40633 47307
TEFLON	40634 47308
NYLON	47141 40712
URETHANE	40703 40707
TEF / SOFT	45483

O-RINGS	
MATL	LID ELEMENT ITEM (#3) ITEM (#31)
VITON	42622 42626
TEFLON	42624 42628
EPT	42623 42627
BUN	42621 42625
NIT	45421 45422

\* WHITE, FDA APPROVED  
FOOD GRADE.

- NOTES:  
1. ITEM #19 CONTAINS ITEMS 20, 21 & 24-28.  
2. ITEM #20 CONTAINS: (1) CLEANING DISC  
(1) SPRING  
(8) SCREWS  
(1) LOAD TOOL.

REPLACEMENT PARTS  
DCF-1600 / 1600 TWIN



QTY	REV	DATE	DESCRIPTION
1	1	05/24/05	REVISED
2	1		RETAINER RING, 3100-50-SS2
3	1		WASHER, 1/2" FLAT TYP A SER
4	1		RN, CLEVIS MULTIPLEX LINKAGE
5	1		RN, EYEBOLT, FB SE
6	1		NUT, FB FLTR
7	1		ACT. ROTARY, JAMESBURY DCF
8	1		BRKT ASSY, FLO-TITE FOR VPW250
9	1		VALVE, B 2W 2" THD FULL PT S56
10	1		BRKT, TAG DCF SERIAL
11	1		DOCTOR MECH BOTTOM
12	1		DOCTOR MECH TOP RAW
13	1		PLATE, DOCTOR MECH 10P RAW
14	1		NUT, 1/4-20 SELF LOCKING DCF
15	1		ADAPTER, 1/4-20 X 2 HEX HD CAP
16	1		DISC, R00 DCF-1600 316
17	1		KIT, REPAIR DCF-1600 DISC ASSY
18	1		SEE CHART
19	1		SEE CHART
20	1		DISC ASSEMBLY, DCF-1600
21	1		RING, LANTERN DCF-1600 2-PC FS
22	1		FLUIDSEAL PACKING / TEFLO
23	1		FLUIDSEAL PACKING / URETHANE
24	1		FLUIDSEAL ASSY, DCF-1600 2-PC
25	1		FLUIDSEAL ASSY, DCF-1600 2-PC
26	1		FLUIDSEAL ASSY, DCF-1600 2-PC
27	1		FLUIDSEAL ASSY, DCF-1600 2-PC
28	1		FLUIDSEAL ASSY, DCF-1600 2-PC
29	1		FLUIDSEAL ASSY, DCF-1600 2-PC
30	1		FLUIDSEAL ASSY, DCF-1600 2-PC
31	1		FLUIDSEAL ASSY, DCF-1600 2-PC
32	1		FLUIDSEAL ASSY, DCF-1600 2-PC
33	1		FLUIDSEAL ASSY, DCF-1600 2-PC
34	1		FLUIDSEAL ASSY, DCF-1600 2-PC
35	1		FLUIDSEAL ASSY, DCF-1600 2-PC
36	1		FLUIDSEAL ASSY, DCF-1600 2-PC
37	1		FLUIDSEAL ASSY, DCF-1600 2-PC
38	1		FLUIDSEAL ASSY, DCF-1600 2-PC
39	1		FLUIDSEAL ASSY, DCF-1600 2-PC
40	1		FLUIDSEAL ASSY, DCF-1600 2-PC
41	1		FLUIDSEAL ASSY, DCF-1600 2-PC
42	1		FLUIDSEAL ASSY, DCF-1600 2-PC
43	1		FLUIDSEAL ASSY, DCF-1600 2-PC