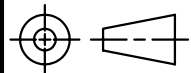
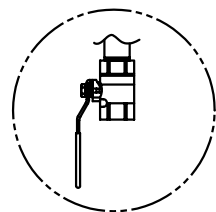
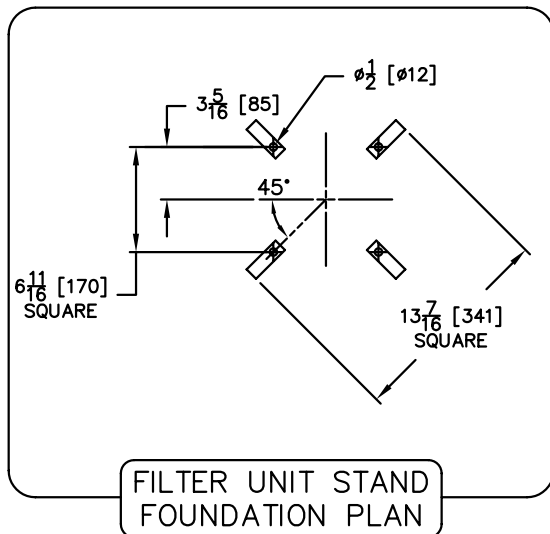


DO NOT SCALE DRAWING

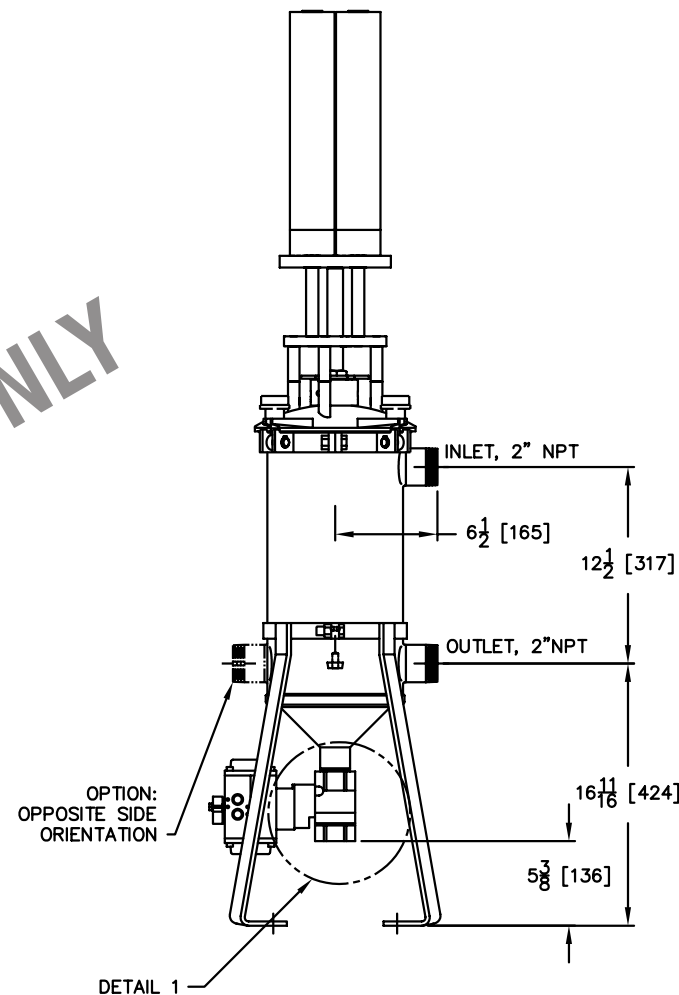
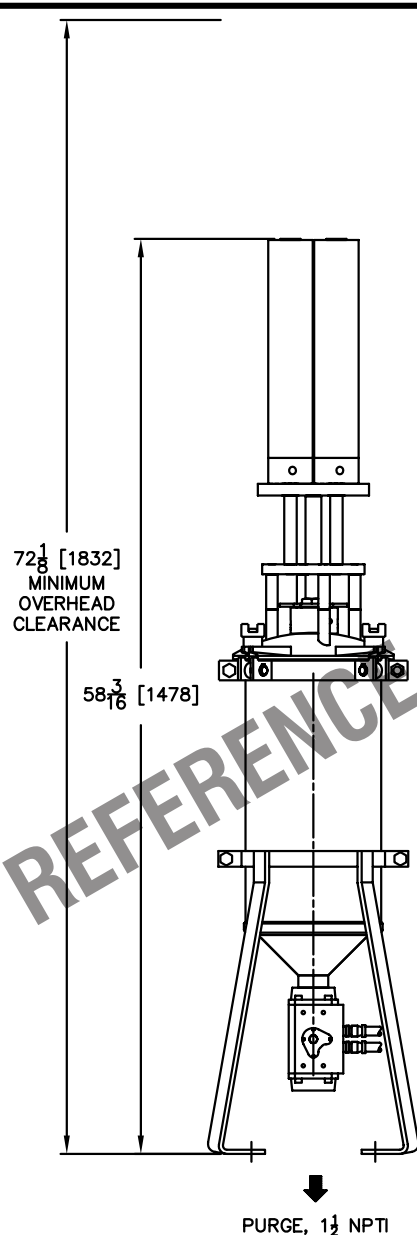


THIRD ANGLE PROJECTION

REVISIONS



DETAIL 1: MANUAL PURGE VALVE OPTION



NOTES:

- ALL DIMENSIONS SHOWN IN INCHES, WITH MILLIMETER EQUIVALENTS IN BRACKETS [ ].
- FILTER ELEMENT IS DESIGNED TO WITHSTAND 110 PSID (7.58 BAR) DIFFERENTIAL PRESSURE.
- DESIGN PRESSURE OF UNIT IS 150 PSI [10.34 BAR].
- INLET/OUTLET PROCESS CONNECTIONS ARE 2" NPT. THE PURGE CONNECTION IS 1 <sup>1</sup>/<sub>2</sub>" NPT. BODY TUBE IS MADE FROM 8" PIPE.
- INLET AIR CONNECTION IS 1/4" NPT. SUPPLY AIR IS TO BE CLEAN, DRY, NON-LUBRICATED AIR. 80 PSI MIN. [5.52 BAR] 120 PSI MAX. [8.27 BAR]

ENGINEERING APPROVAL  
 SALES/MKTG APPROVAL

DRAWN BY  
 M. DESJARDINS  
 SCALE  
 NONE

ENGINEERING SPECIFICATION

TITLE

DCF-800 SINGLE FILTER W/ TWIN ACTUATOR UNIT DRAWING

DATE  
 05/13/05

SIZE  
 A

DWG FILENAME  
 DCF-800-TWSI-GA001

REV  
 A



EATON FILTRATION, LLC  
 RONNINGEN-PETTER PRODUCTS  
 9151 SHAVER ROAD  
 PORTAGE, MICHIGAN 49024-6798 USA

THIS DRAWING AND ALL INFORMATION THEREON IS THE PROPERTY OF EATON CORPORATION. IT IS CONFIDENTIAL AND MUST NOT BE MADE PUBLIC. THIS DRAWING IS LOANED SUBJECT TO RETURN ON DEMAND, AND IS NOT TO BE USED DIRECTLY OR INDIRECTLY, IN ANY WAY DETRIMENTAL TO THE INTERESTS OF EATON FILTRATION, LLC.